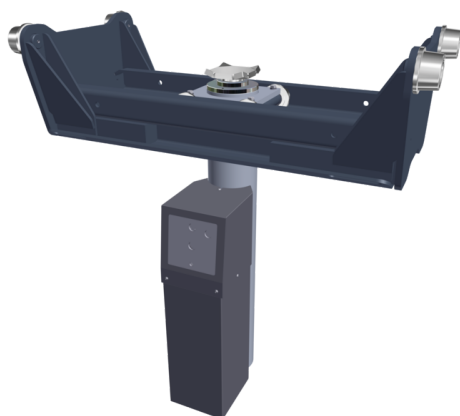


LIFTING TECHNOLOGY

PIT JACK

MPJ 16.5/750 1S HAE
VP 454277



MPJ 16.5/750 1S HAE

VP 454277

The pit jack, which is mounted in a suspended position, lifts up to 16.5 t. The overhead rail pit jack, with deep-drawn chassis and long 750 mm stroke, is suitable for work with or without axle crossbeams and support systems. The electro-hydraulic drive is operated via push buttons, a fine control option is available for downward movement. For optimal pit adaptation, the chassis is adjustable by 140 mm.

PRODUCT DETAILS/ACCESSORIES

1-stage telescopic, rail-guided, suspended

Description:

Automatic pit jack

Electric automatic pit jack

Specifically for wheel and brake works and dismantling smaller assemblies in conjunction with axle lifting beams and support systems for lorries and buses with 16.5 t load capac.

Control:

- Electrohydraulic pit jack with low-noise oil-immersed units and automatic electric control
- Up and down control via separate push button
- Adjustable fine tuning of downward speed for the utmost safety during difficult assembly work

Design:

- For precise movement, the pit jack is rail-guided at the top edge of the pit
- Guarantees easy movement of the pit jack since all rollers are

fitted with needle bearings crossways and lengthways

- Long total stroke of 750 mm to reach high-up units
- The pit jack is fitted with a downward deep-drawn P carriage for integrating an axle lifting beam at any height
- Alternatively, a straight S carriage can be used too
- Variable modular carriage system for various pit widths (700 - 1200 mm) in conjunction with different roller versions and clearance degrees for adapting to work pit circumstances
- Corrosion-resistant piston rods thanks to self-lubrication
- High-quality powder-coating protects against corrosive liquids and elevates quality look and feel on a lasting basis

Scope of delivery:

- Pit jack with electric automatic control system
- Deep-drawn P carriage and rollers for rails
- Standard support lugs 120 x 120 mm
- Operating instructions
- EC conformity certificate
- Colour: Jack base frame RAL 7040
 - Attachments and carriage RAL 7016

TECHNICAL DATA

Load capacity (CE)	16,500 kg
Stroke distance	750 mm
Lifting levels	1
Min. pick-up height from roller slide rail	- 68 mm
Pit jack depth for roller slide rail	1063 mm
Max. lifting height above roller slide rail	681 mm
Slide rail width inner dimensions	700 1200 mm
Carriage adjustable range	140 mm
Roller rest width	40 mm
Roller rest incline	8 % / 4.6°
Max. parallelism deviation slide rails	10 mm
Roller diameter (at the flange)	80 (95) mm

LIFTING TECHNOLOGY PIT JACK

MPJ 16.5/750 1S HAE
VP 454277



TECHNICAL DATA

Mount diameter inside/outside	45/90 mm
Piston rod diameter	90 mm
Cable length	5 m
Drive power	2.5 kW
gG fuse	16 A
Power supply	3/N/PE 400 V 50 Hz
Oil quantity/quality	14.5 l / HLP-D 22
Drive	Electrohydraulic
Operating pressure	254 bar
Weight	277 kg

ACCESSORIES

ACCESSORIES - CARRIAGE

VZ 975923	S-carriage for suspended pit jacks up to 16.5 t -EXTRA CHARGE-
VZ 975605	Offset rollers for suspended pit jacks of up to 16.5 t -EXTRA CHARGE-
VZ 975924	Cylindrical rollers for suspended pit jacks in pit profile rails
VZ 975562	Special rollers f. suspended and rail-guided pit jacks -EXTRA CHARGE-

ACCESSORIES - TRAVERSES, SUPPORT BRIDGES, SUPPORT SYST.

VZ 975670	Self-locking axle lifting beam with 14.5 t support system MODEL: SAT 14.5-760
VZ 975813	Self-locking axle lifting beam with 14.5 t support system MODEL: SAT 14.5-820
VZ 975622	Self-locking axle lifting beam with 14.5 t support system MODEL: SAT 14.5-910 STOCK
VZ 975741	Self-locking axle lifting beam with 14.5 t support system MODEL: SAT 14.5-910L
VZ 975743	SAT Rollers Retrofit Kit, Spring Mounted, with Plastic Rollers
VZ 975814	SAT Wheel Deflector Plates (2 pcs)
VZ 975820	Spacer Block for Support Systems SAT (65 x 110 x 320 mm)
VZ 975903	Axle lifting beam up to 15 t Adjustment range max. 1010 mm MODEL: AT 15
VZ 975688	Axle Traverse Length Variation
VZ 975906	Axle traverse Long for busses, com. vehicles, 16.5t load cap. MODEL: AT 16.5 L1500
VZ 975696	Axle Crossbar Load Capacity 3.5 t Model: ATV 3.5
VZ 975925	Support bridge for axle traverses up to 14.5 t load capac. MODEL: TAB 15
VZ 975326	Support Bridge AB w/o Centre Cut-Out up to 14,5 t Load Cpc. MODEL: AB 15
VZ 975686	Support System Version D/F
VZ 975687	Support System Version E

ACCESSORIES - LOAD LIFTING PADS, LIFTING PADS, EXTENDERS, SUPPORT TUBES

VZ 975280	Narrow Lifting Pad, 20 t Load Capacity, galvanized, up to 100 mm (Pin Diameter 45 mm)
VZ 975285	Large Lifting Pad, galvanized, Load Capacity 20 t MODEL: GP 175/20

VZ 975283	Large Lifting Pad, galvanized, Load Capacity 16.5 t MODEL: GP 220
VZ 975569	Pads with mushroom support N with pin diameter 45 mm MODEL: PS-N
VZ 975409	Wooden Lifting Pad, 6 - 16 t Load Capacity, Prismatic Design, MODEL: HP 06-16
VZ 975287	Lifting Pad w. Rubber Surface, 11 t Load Capacity MODEL: RPG 10
VZ 975289	Plug-In Extender, L = 100 mm, MODEL: ZS 100/45
VZ 975290	Plug-In Extender, L = 150 mm, MODEL: ZS 150/45
VZ 975410	Plug-In Extender, L = 200 mm MODEL: ZS 200/45
VZ 971221	Support Plate Extension 100 mm galvanized (2 pcs.) Diameter of supports 35 mm
VZ 975330	Support Tube L = 400 mm, Load Capacity: 20 t (Pin Diam. 45 mm)
VZ 975331	Support Tube L = 600 mm, Load Capacity: 20 t (Pin Diameter 45 mm)
VZ 975571	Support Tube L = 800 mm, Load Capacity: 15 t (Pin Diameter 45 mm)
VZ 975414	Spacer Block for Support Systems TAB (100 x 140 x 450 mm)
VZ 975732	Gearbox Plate, Load Cpc. 1.0t Model: GP 1000
VP 975915	Gearbox Mounting Tool with swivelling flat supports MODEL: GMT 800
VZ 975916	Swivel supports for GMT 800 w. locking function
VZ 975917	Angle clamp supports for GMT 800 with rubber pad
VZ 975918	Semicircular flex supports for GMT 800 with rubber pads
VZ 975611	Pit crossing continuously adjustable for pits w/o wheel guides
VZ 975612	Pit crossing continuously adjustable for pits with wheel guides
VZ 975613	Railings for pit crossing continuously adjustable

SUPPLEMENTARY CHARGES

VT 998106	Transportkosten Grubenheber Abstütssystem, Getriebeplatten
VT 998108	Transportkosten Abstütssystem, Getriebeplatten
VM 996148	Montagekosten Grubenheber
VV 997599	Packaging Suspended pit jack stackable -EUROPE/OVERSEAS-
VV 997601	Packaging Lifting beams, gearbox plates, stackable -EUROPE/OVERSEAS-