

# Dimension Sheet for Pit Jack and Support Systems

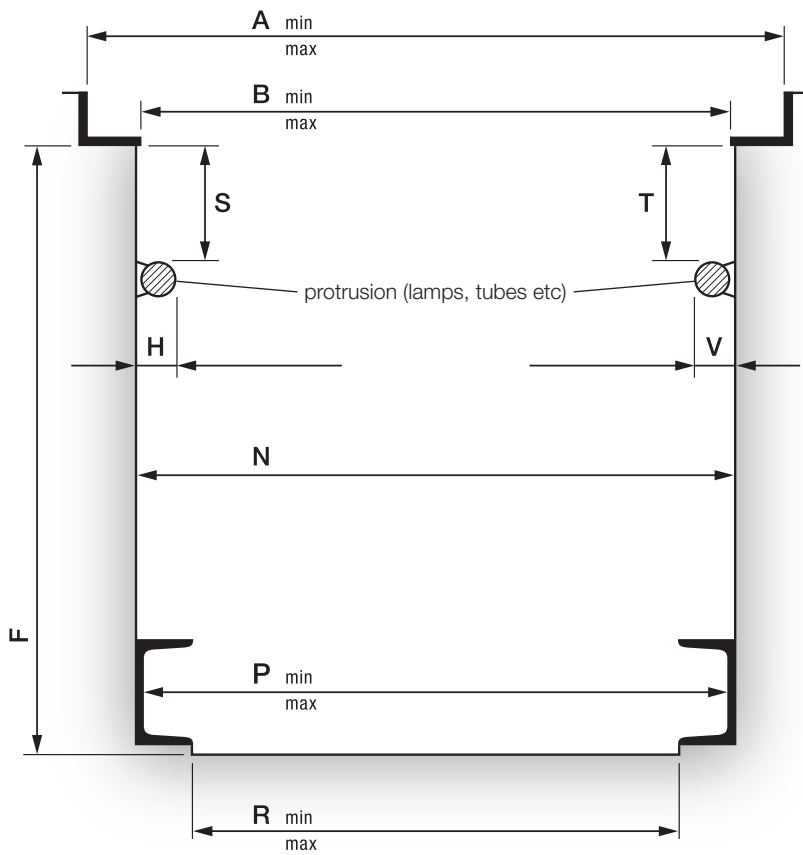
Pit Jack Model: ..... Support system: .....  
 Representative: ..... Tel. No./Contact: .....  
 Order No.: ..... Date/Signature: .....

## Pit Dimensions: All dimensions in mm!

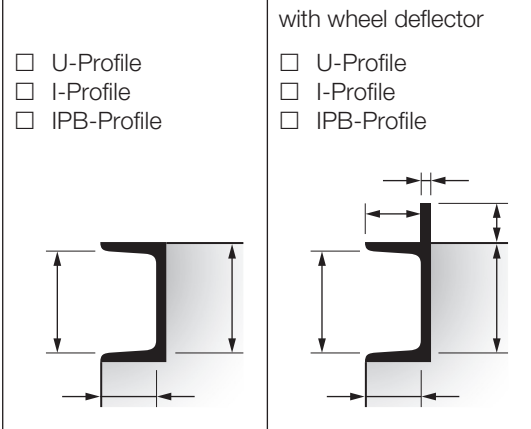
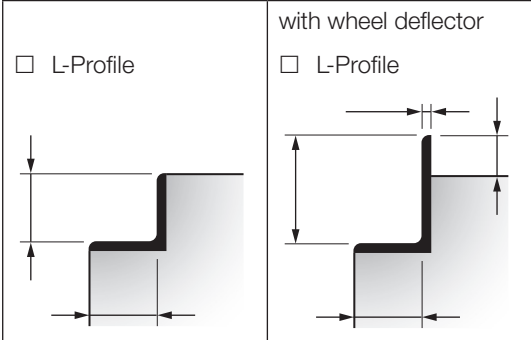
Measure the pit at various spots. Please include sketches/photos if your pit deviates substantially from our pit sketch. We produce based on the smallest dimensions. If the difference in dimension B >10 mm, the parallelism must be compensated for by the customer. Dimension A shows the possible running surface of the rollers/support systems. (please pay attention to welding seams and the radius in the Profilee) Standard width dimensions for pit jacks and their support systems Dimensions B up to 1080 mm.

## Hanging Jack Carriage

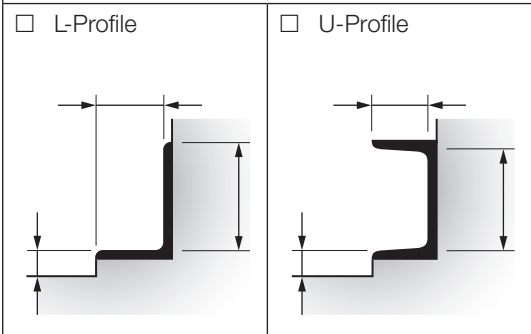
S-carriage  P-carriage  Special carriage<sup>1</sup> .....



## Upper Pit Profilee



## Lower Pit Profile



## Floor-running Jack Carriage

freely movable  runs in L/U profile  runs on flat steel (include sketch)

## Carriage rollers

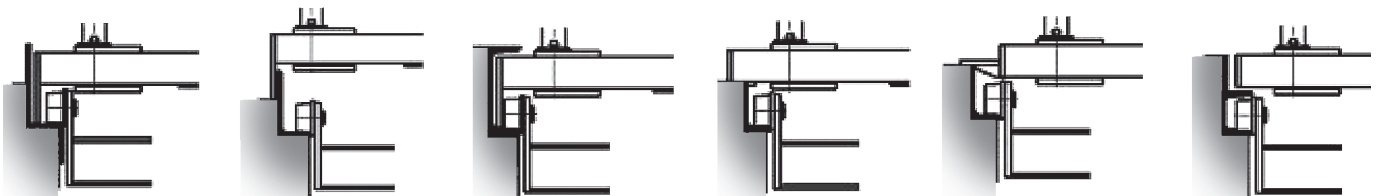
cylindrical<sup>1</sup>  8 % angle standard rollers  14 % with larger angle<sup>1</sup>  
 detached rollers  left and  right  25 mm or  50 mm  
 Special rollers<sup>1</sup> .....

## Additional information

Pit opening exists for positioning  
 Pit with cover (include sketch)  
 Pit with hanging oil cart (include sketch)

## Support System version

Variation A  Variation B  Variation C  Variation D  Variation E1  Variation F



<sup>1</sup> Adaption of carriages and support bridges to unsuitable pits requires information from you, consultation with us and extra charges.